

Rohinson[®]

Instructions Manual

Espresso Maker R-98012



Read this manual thoroughly before using and save it for future reference.

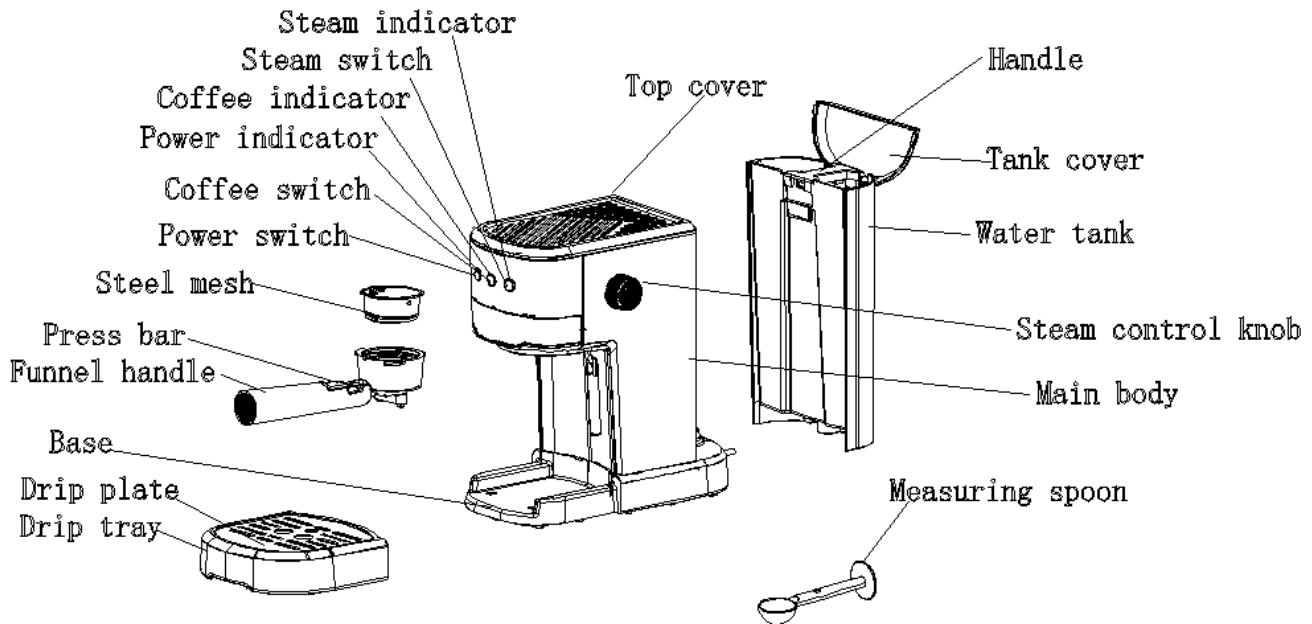
IMPORTANT SAFEGUARDS

Before using the electrical appliance, the following basic precautions should always be followed including the following:

1. Read all instructions.
2. Before using check that the voltage of wall outlet corresponds to rated voltage marked on the rating plate.
3. This appliance has been incorporated with a grounded plug. Please ensure the wall outlet in your house is well earthed.
4. To protect against fire, electric shock and injury to persons do not immerse cord, plug, in water or other liquid.
5. Remove plug from wall outlet before cleaning and when not in use. Allow appliance cool down completely before taking off, attaching components or before cleaning.
6. Do not operate any appliance with a damaged cord or plug or after the appliance malfunctions or is dropped or damaged in any manner. Return appliance to the nearest authorized service facility for examination, repair or electrical or mechanical adjustment.
7. The use of accessory attachments not recommended by the appliance manufacturer may result in fire, electric shock or injury to persons.
8. Place appliance on flat surface or table, do not hang power cord over the edge of table or counter.
9. Ensure the power cord do not touch hot surface of appliance.
10. Do not place the coffee maker on hot surface or beside fire in order to avoid being damaged.
11. To disconnect, remove plug from wall outlet. Always hold the plug. But never pull the cord.
12. Do not use appliance for other than intended use and place it in a dry environment.
13. Close supervision is necessary when your appliance is being used near children.
14. Be careful not to get burned by the steam.
15. Do not touch the hot surface of appliance (such as steam wand, and the steel mesh just boiling). Use handle or knobs.
16. Do not let the coffee maker operate without water.
17. Do not remove the metal funnel when appliance in brewing coffee or making steam.
18. Connect plug to wall outlet before using and turn any switch off before plug is removed from wall outlet.
19. This appliance is not intended for use by persons (including children) with reduced physical, sensory or mental capabilities, or lack of experience and knowledge, unless they have been given supervision or instruction concerning use of the appliances by a person responsible for their safety.
20. Children should be supervised to ensure that they do not play with the appliance.
21. This appliance is intended to be used in household and similar applications such as:
 - staff kitchen areas in shops, offices and other working environments;
 - farm houses;
 - by clients in hotels, motels and other residential type environments;
 - bed and breakfast type environments.
22. Do not use outdoors.
23. Save these instructions.
24. If you do not use the product for a long time, you need to turn on the power and then release steam for 3 minutes before leaving this product.
25. If you cut off power during steam release, residual heat will make product continue to release

steam for a length of time, the product will stop releasing steam immediately once you turn off steam knob.

KNOW YOUR COFFEE MAKER



BEFORE THE FIRST USE

To ensure the first cup of coffee tastes excellent, you should rinse the coffee maker with warm water as follows:

1. Pour water into water tank, the water level should not exceed the "MAX" mark in the tank. Then replace the water tank cover.

Note: The appliance is supplied with a detachable tank for easy cleaning, you can fill the tank with water firstly, and then put the tank into the appliance.

2. Set steel mesh into metal funnel (no coffee in steel mesh).
3. Place a jug on removable shelf. Make sure the steam control knob is on the OFF position.

Note: The appliance is not equipped with jug, please use yourself jug or coffee cup.

4. Connect to power source, press the power switch "ON/OFF" one time, the blue indicator is blinking.
5. Press the coffee switch, the pump will pump water, when there is water flowing out and close the pump by pressing the coffee switch. Press the coffee switch hand water will flow out.
6. After water does not drop out anymore, you can pour the water in each container out then clean them thoroughly, now you can start brewing.

Note: There may be noise when pumping the water for the first time, it is normal, the appliance is releasing the air inside. After about 20s, the noise will disappear.

The coffee indicator may be warning when coffee maker is in the first use, it is normal. Press the coffee switch selector. After about 20s, the warning will disappear.

PRE-HEATING

To make a cup of good hot Espresso coffee, we recommend you preheating the appliance before making coffee, including the funnel, filter and cup, so that the coffee flavour can not be influenced by the cold parts.

1. Remove the detachable tank and open the tank cover to fill it with desired water, the water level should not exceed the "MAX" mark in the tank. Then place the tank into the appliance properly.
2. Select the steam mesh. Set steel mesh into metal funnel. Make sure the tube on the funnel aligns with groove in the appliance, then insert the funnel into the appliance from the "Insert" position, and you can fix them into coffee maker firmly through turn it anticlockwise until it is at the "Lock" position.
3. Place an espresso cup on removable shelf.
4. Then connect the appliance to power supply. Make sure the steam control knob is on the "o" position.
5. Press the power switch "ON/OFF" one time, the power indicator blinks. After finish preheating, the power indicator lights solidly. Press the coffee switch, when there is water flowing out, close the pump immediately. The purpose of the step is to pump the water of the tank into the housing.

MAKE ESPRESSO

1. Remove the funnel by turning it in clockwise. Add ground coffee steel mesh with measuring spoon. A spoon ground coffee power can make about a cup of top-grade coffee, then press the ground coffee powder tightly with the tamper.
2. Set steel mesh into metal funnel, make sure the tube on the funnel aligns with groove in the appliance. Then insert the funnel into the appliance from the "Insert" position, and you can fix them into coffee maker firmly through turn it anticlockwise until it is at the "Lock" position.
3. Pour the hot water in the cup. After the cup is warmed up, empty the water in the cup and dry the cup, and then place the hot cup on removable shelf.
4. At the time, the lamp in power switch shall be illuminated, if it is extinguished, wait for a moment, once the lamp in it is illuminated, you should press the coffee switch wait for a moment, there will be coffee flowing out. Press the coffee switch again when the required amount is got, and then the water pump stops working.

WARNING: Do not leave the coffee maker unattended during making the coffee, as you need to operate manually sometimes!

5. After finishing making the coffee, you can take the metal funnel out through turn clockwise, then pour the coffee residue out with the steel mesh pressed by press bar.
6. Let them cool down completely, then rinse under running water.
7. Recommended single coffee cup approximately 30ml, double coffee cup approximately 60ml. The working time for brewing single-cup of coffee is 60 seconds at most, and the water pump will stop working if the working time exceeds 60 seconds.

MAKE HOT WATER

When the preheating is finished, the power indicator lights up solidly. Then press the steam switch twice in a row for 2 seconds, and the water pump starts to pump water. Turn the knob to "☼", and then hot water will flow out of the steam pipe. To stop making hot water, press the steam switch again or press the coffee switch again. Hot water is used for warming cup, making tea or cooling down the appliance. Please refer to the operation described in the section of "Make ESPRESSO" when need to adjust the working time for making hot water.

MAKE CAPPUCCINO/FROTHED MILK

You get a cup of cappuccino when you top up a cup of espresso with frothed milk.

Method:

1. Prepare espresso first with container big enough according to the part "MAKE ESPRESSO COFFEE". Make sure that the steam control knob is at the "o" position.
2. Press the steam switch selector, wait for until the indicator in the steam switch selector is illuminated.

Note: During operation, the indicator in the steam selector will cycle on and off to maintain to desired temperature.

3. Fill a jug with about 100 ml of milk for each cappuccino to be prepared. You are recommended to use whole milk at refrigerator temperature (not hot!).

Note: In choosing the size of jug, it is recommended the diameter to be not less than 70±5mm, and bear in mind that the milk increases in volume by 2 times. Make sure the height of jug is enough.

4. Turn the steam control knob slowly anti-clockwise, steam will come out from the frothing device.

Note: Never turn the steam control button rapidly, as the steam will accumulate rapidly in short time which may increase the potential of the risk of explosion.

5. Insert the frothing device into the milk about two-centimetre, froth milk in the way moving vessel round from up to down.

6. When the required purpose is reached, you can turn the steam control knob to "o" position.

Note: Clean steam outlet with wet sponge immediately after steam stops generating, but care not to hurt!

7. Pour the frothed milk into the espresso prepared, now the cappuccino is ready. Sweeten to taste and if desired, sprinkle the froth with a little cocoa powder.

8. Press the Power switch to cut the power source off. All indicators will be extinguished.

WARNING: After finishing the "Steam" function, press the coffee switch. If the coffee indicator and steam indicator blink fast, it means that the temperature of the appliance is too high and the appliance needs to be turned off and have a rest for more than 5 minutes, or you can activate the "Hot water" function to cool down the appliance. And the water pump will stop pumping water automatically if the temperature is normal. And the coffee will be burnt and there will be overflow at the funnel if the appliance brew coffee directly without being cooled down.

AUTOMATIC POWER OFF FUNCTION

If there is not any operation within 25 minutes, the unit will power off automatically.

CLEANING AND MAINTENANCE

1. Cut off power source and let the coffee maker cool down completely before cleaning.
2. Clean housing of coffee maker with moisture-proof sponge often and clean water tank, drip tray and removable shelf. Then regularly dry them.

Note: Do not clean with alcohol or solvent cleanser. Never immerse the housing in water for cleaning.

3. Detach the metal funnel by turning it clockwise, get rid of coffee residue inside, then you can clean it with cleanser, but at last you must rinse with clear water.
4. Clean all the attachments in the water and dry thoroughly.

CLEANING MINERAL DEPOSITS

1. If the coffee maker has been in use for about 3 months, you need to clean mineral deposits.
2. Fill the tank with water and descaler to the MAX level (the scale of water and descaler is 4:1, the detail refers to the instruction of descaler. Please use “household descaler”, you can use the citric acid (obtainable from chemist’s or drug stores) instead of the descaler (the one hundred parts of water and three parts of citric acid).
3. According to the program of pre-heating, put the metal funnel (no coffee powder in it) and jug in place. Brewing water per “PRE-HEATING”.
4. Press the Power switch one-time, blue lamp in power switch will be illuminated, you should press the coffee switch. Make sure the coffee selector, when there is water flowing out and close the pump and wait for a moment. The coffee maker begins to be heated.
5. When the lamp in power switch is illuminated, it shows the heating is finished. Pressing the coffee switch and make two cups coffee (about 2Oz). Then close the pump and wait for 5s.
6. Press the steam selector, the indicator in the steam switch will be extinguished, waiting for until the indicator in the steam selector is illuminated. Make steam for 2min by turning the steam control knob, then turn the steam control knob to “o” position to stop making steam. Press the Power switch to stop the unit immediately, make the descalers deposit in the unit at least 15 minutes.
7. Restart the unit and repeat the steps of 4-6 at least 3 times.
8. Then press the coffee/steam selector, the lamp in coffee switch will be illuminated, then press the coffee switch to brew until no descaler is left.
9. Then brew coffee (no coffee powder) with tap water in the MAX level, repeat the steps of 4-6 for 3 times (it is unnecessary to wait for 15 minutes in step of 6), then brew until no water is left in the tank.
10. Repeat the step of 9 at least 3 times to make sure the piping is clean.

TROUBLE SHOOTING

Symptom	Cause	Corrections
The metal parts in the tank have rust.	The descaler is not recommended type. It may corrode the metal parts in the tank.	Use the descaler recommended by manufacturer.
Water leaks from the bottom of coffee maker.	There is much water in the drip tray.	Please clean the drip tray.
	The coffee maker is malfunction.	Please contact with the authorized service facility for repairing.
Water leaks out of outer side of filter.	There is some coffee powder on filter edge.	Get rid of them.
Acid (vinegar) taste exists in Espresso coffee.	No clean correctly after cleaning mineral deposits.	Clean coffee maker per the content in “before the first use” for several times.

	The coffee powder is stored in a hot, wet place for a long time. The coffee powder turns bad.	Please use fresh coffee powder, or store unused coffee powder in a cool, dry place. After opening a package of coffee powder, reseal it tightly and store it in a refrigerator to maintain its freshness.
The coffee maker cannot work anymore.	The power outlet is not plugged well.	Plug the power cord into a wall outlet correctly. If the appliance still does not work, please contact with the authorized service facility for repairing.
The steam cannot froth.	The steam ready indicator is not illuminated.	Only after the steam ready indicator is illuminated, the steam can be used to froth.
	The container is too big or the shape is not fit.	Use high and narrow cup.
	You have used skimmed milk.	Use whole milk or half-skimmed milk.

Do not take apart the appliance by yourself if the cause of failure is not found, you had better contact certified serving center.



IMPORTANT INFORMATION FOR CORRECT DISPOSAL OF THE PRODUCT IN ACCORDANCE WITH EC DIRECTIVE 2012/19/EU.

At the end of its working life, the product must not be disposed of as urban waste. It must be taken to a special local authority differentiated waste collection center or to a dealer providing this service. Disposing of a household appliance separately avoids possible negative consequences for the environment and health, deriving from inappropriate disposal and enables the constituent materials to be recovered to obtain significant savings in energy and resources. As a reminder of the need to dispose of household appliances separately, the product is marked with a crossed-out wheeled dustbin.